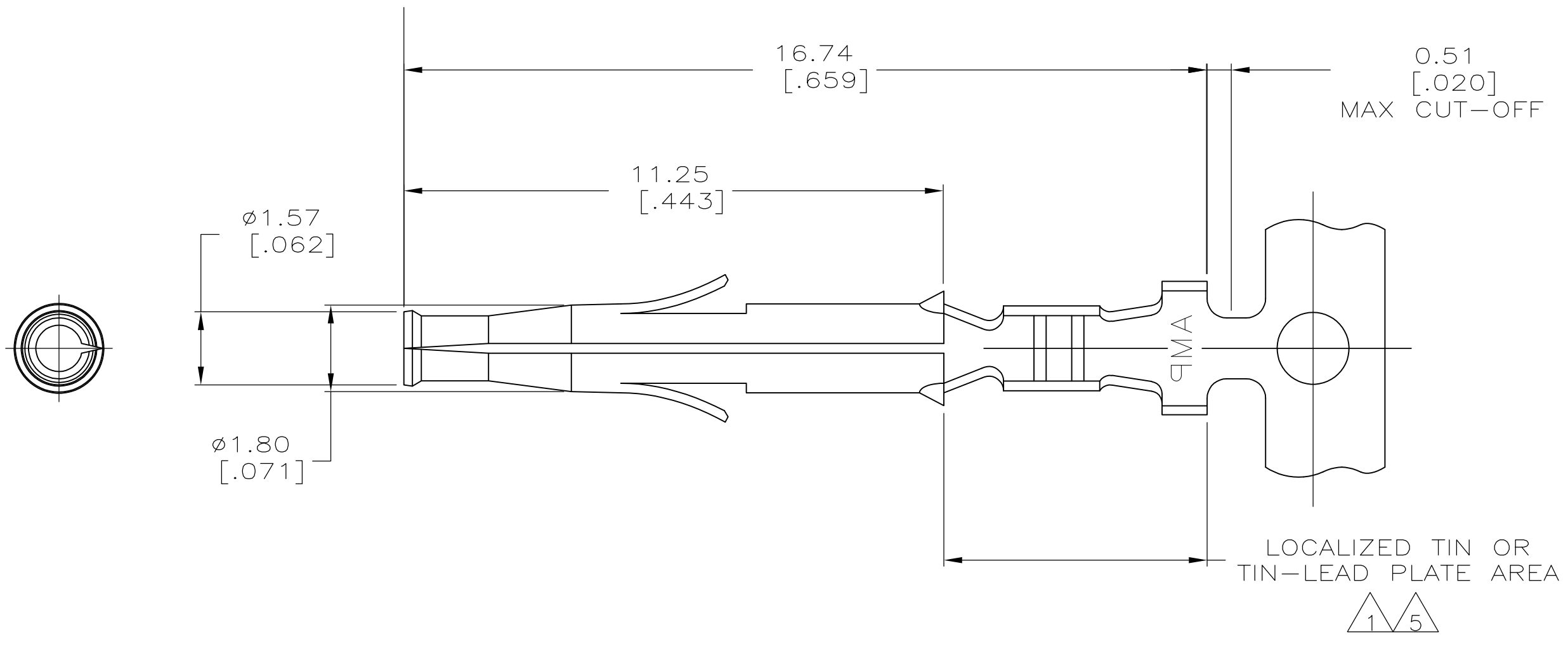
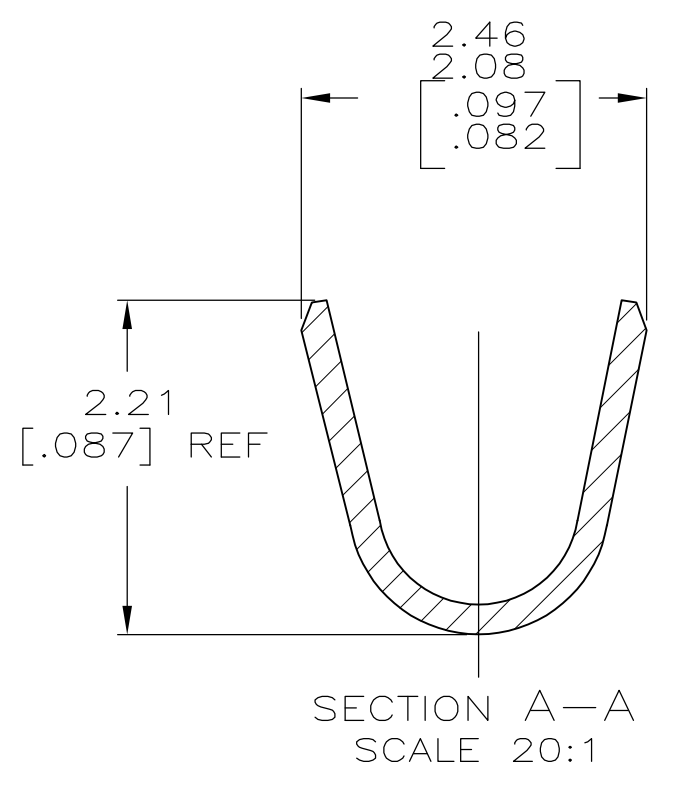
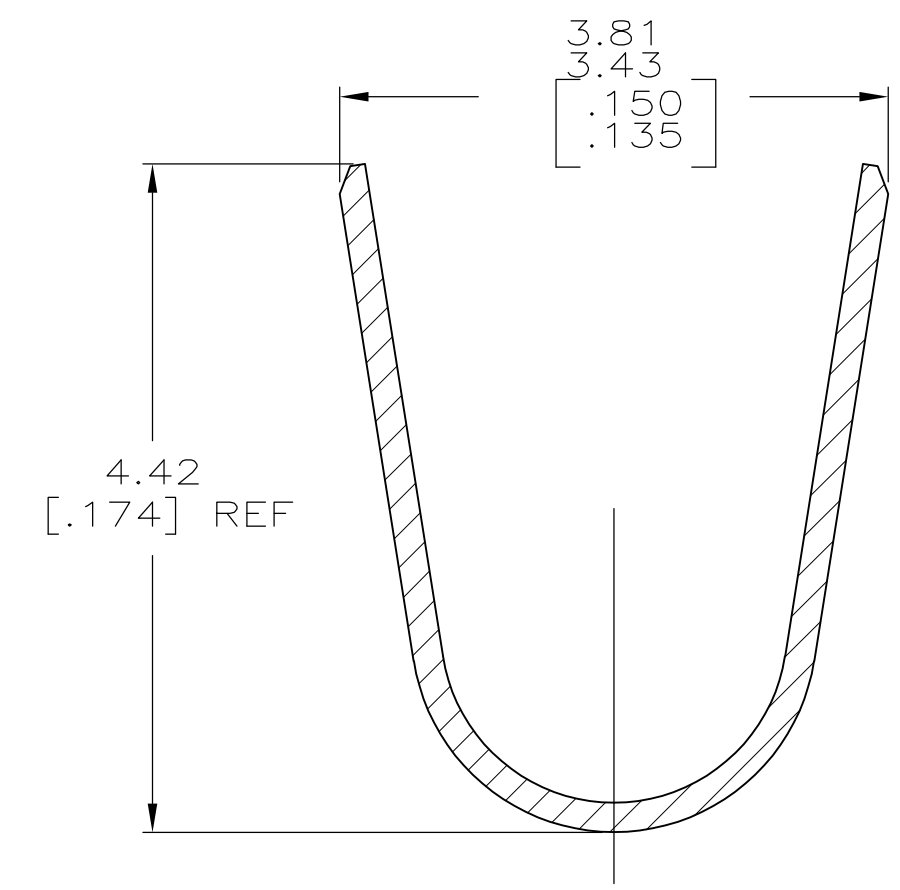
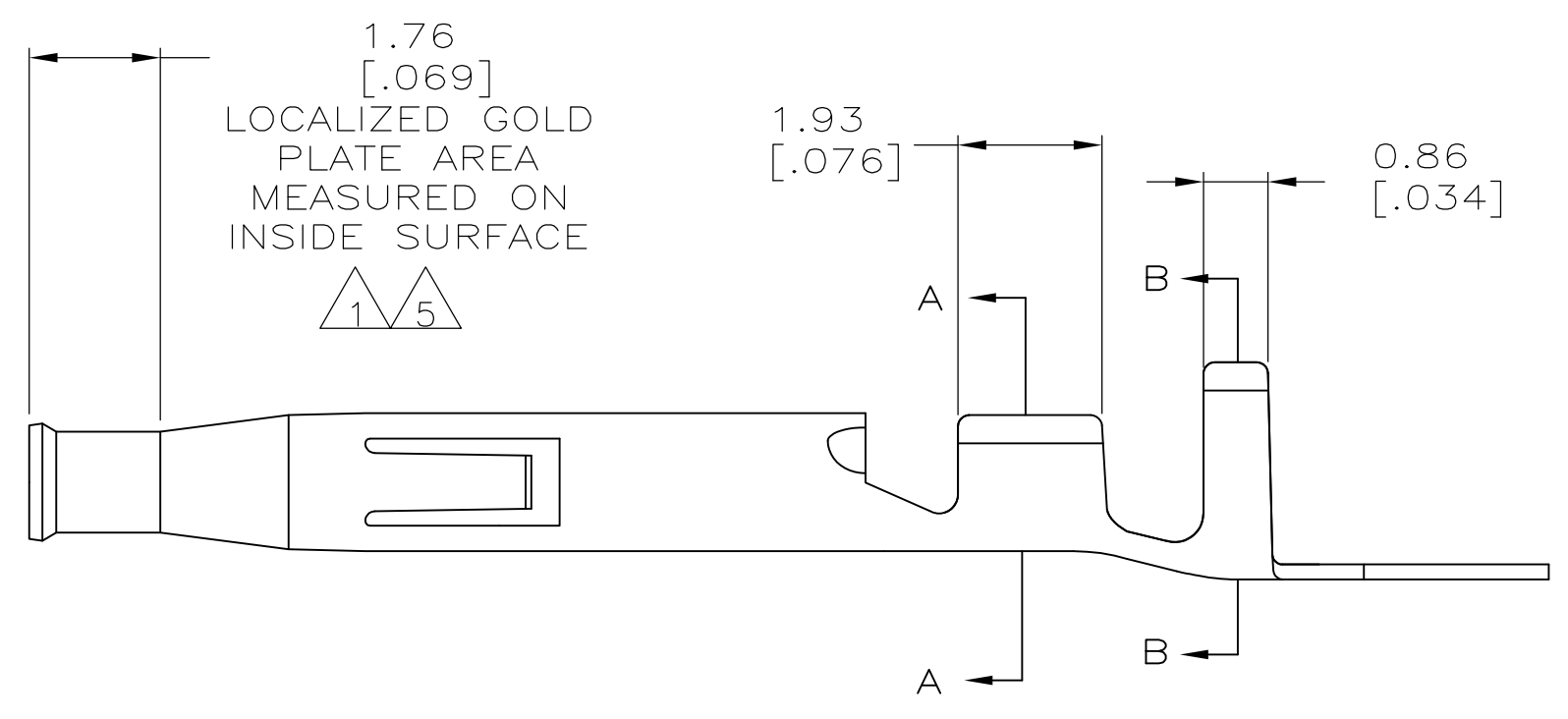


THIS DRAWING IS UNPUBLISHED. RELEASED FOR PUBLICATION
 © COPYRIGHT - By - ALL RIGHTS RESERVED.

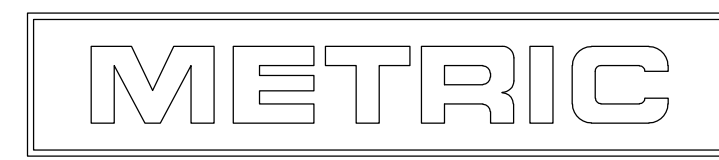
LOC		DIST		REVISIONS			
P	LTR	DESCRIPTION		DATE	DWN	APVD	
CM	53	C		ECO-13-000901	08MAR2013	MGT R.P	



- 1. 0.00076 [.000030] MIN GOLD IN LOCALIZED GOLD PLATE AREA AND 0.00254 [.000100] MIN BRIGHT TIN-LEAD IN LOCALIZED TIN-LEAD PLATE AREA OVER 0.0013 [.000050] MIN NICKEL.
- 2. DIMENSIONS IN BRACKETS ARE IN INCHES.
- 3. INSULATION RANGE :1.50-2.40[.060-.094] DIA.
- 4. WIRE RANGE: 0.3 - 0.9mm² (22-18 AWG).
- 5. 0.00076 [.000030] MIN GOLD IN LOCALIZED GOLD PLATE AREA AND 0.00254 [.000100] MIN MATTE TIN IN LOCALIZED TIN PLATE AREA OVER 0.0013 [.000050] MIN NICKEL.



5	0.20 [.008] BRASS	1-794137-0
1	0.20 [.008] BRASS	794137-3
PRE-TIN	0.20 [.008] BRASS	794137-1
FINISH	MATERIAL	PART NUMBER



THIS DRAWING IS A CONTROLLED DOCUMENT.		DWN	R.VESTAL	17OCT96
DIMENSIONS: mm [INCHES]		CHK	R.SWING	17OCT96
TOLERANCES UNLESS OTHERWISE SPECIFIED:		APVD	R.ORSTAD	17OCT96
0 PLC	± -	NAME		
1 PLC	± -	R. ORSTAD		
2 PLC	± -	PRODUCT SPEC		
3 PLC	± 0.15[.006]	APPLICATION SPEC		
4 PLC	± -	WEIGHT		
ANGLES	± 1°	FINISH		
MATERIAL	SEE TABLE	WEIGHT	-	SCALE
SEE TABLE		FINISH	SEE TABLE	SCALE
CUSTOMER DRAWING		SIZE	A2	CAGE CODE
CUSTOMER DRAWING		WEIGHT	-	DRAWING NO
CUSTOMER DRAWING		SCALE	10:1	RESTRICTED TO
CUSTOMER DRAWING		SHEET	1 OF 1	REV
CUSTOMER DRAWING		REV	C	